



**SKYSAVER**

Taking Safety Higher

## Anchor Installation Instructions



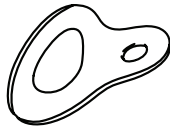
**WARNING**

THE ANCHOR POINT SHOULD BE INSTALLED BY AN EXPERT TECHNICIAN

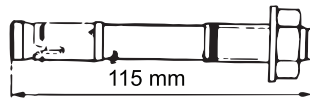
Anchor should be able to withstand 25 kN.

These instructions are suitable for installation into concrete.

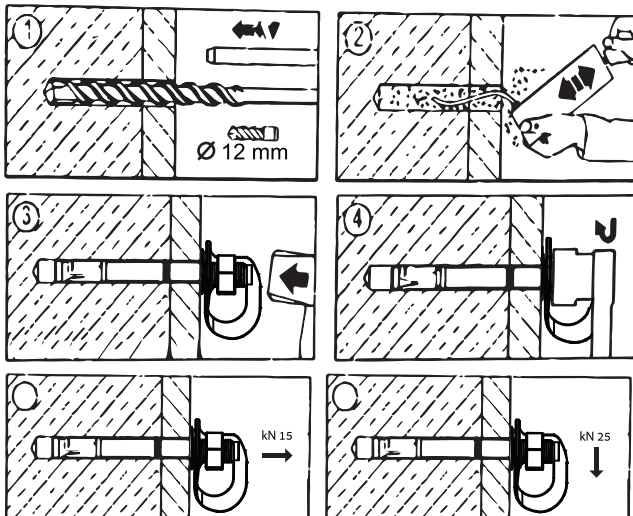
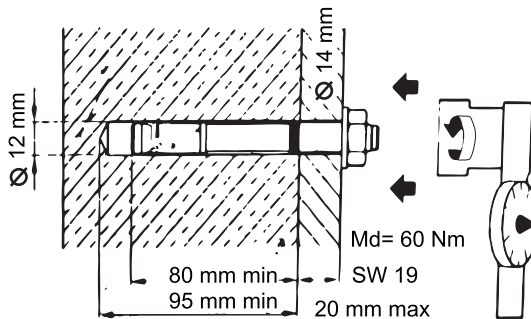
If you need instructions for other types of materials, please visit our website  
[www.skysaver.com](http://www.skysaver.com).



EN 795 anchor devices



Stud anchor HST m12X115/20





**SKYSAVER**

Taking Safety Higher

Installation Protocol for:

# CONCRETE

Customer	
Contractor	

Technical Details				
Screws/Bolts	Stud anchor HST m12X115/20			
Drill	Masonry drill 12mm			
Depth	130mm			
Quality of substructure	C 12/15			
Notes	clean holes			
Edge Distance	200mm			
Position	horizontal	vertical	struts	beams

Please check:	✓ OK
Substructure	
Solid	
Can be loaded	
No cracks	
Installation	
Respected edge distance as required	
Respected depth as required	
Used screws/bolts as required	
Respected plaster and insulation (if applicable)	
Predrilled holes	
Anchored firmly in substructure	
No corrosion	
No cracks	
No deformation	
Instructions for use	
Available	